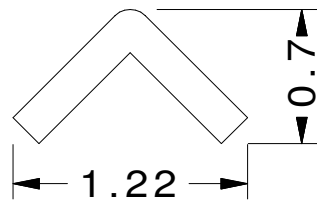
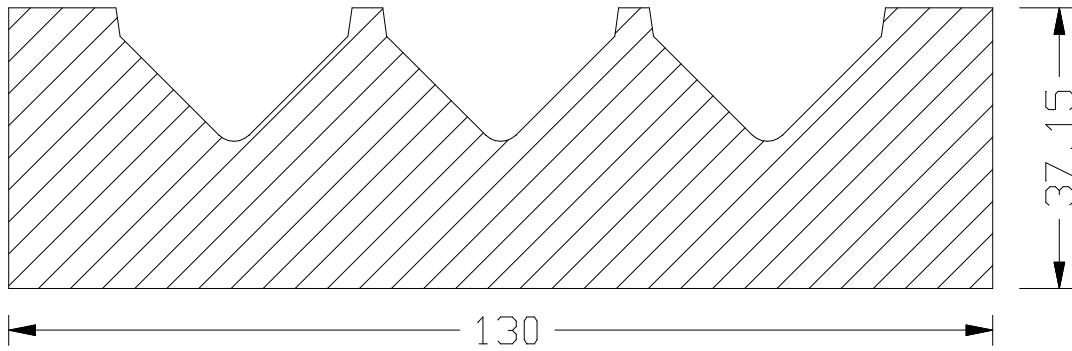


PRINT NO.
01001398



TEMPLATE/KNIFE SHOWN ARE FACE COMING

| | | | | |
|-----------------|--------|----------------|--|-----------------------|
| REV. | DATE : | DESCRIPTION : |  RIVERSIDE TOOL CORP. | |
| 1 | | MDF 265 | | |
| 2 | | | DO NOT SCALE DRAWING | Date: 5/5/05 |
| 3 | | | Scale: FULL | Drawn By: BW |
| CUSTOMER: ADORN | | | Desc: Profile D-Back | Print No: 01001398 |