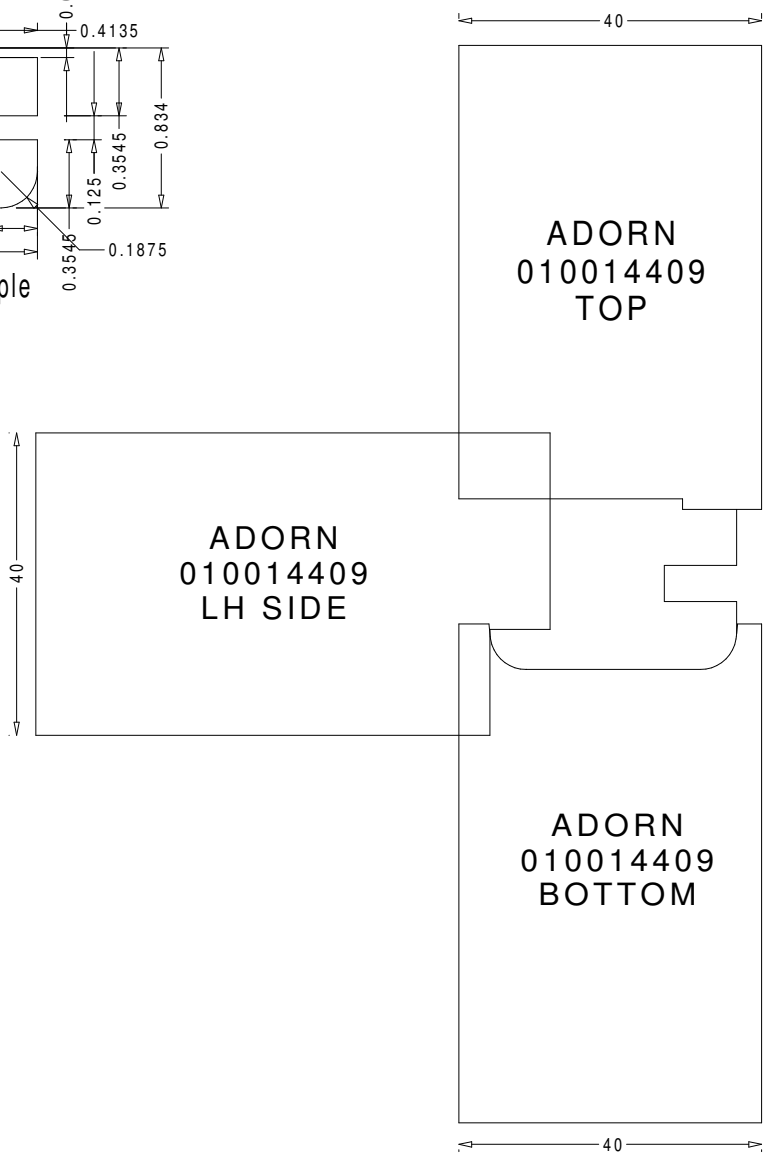
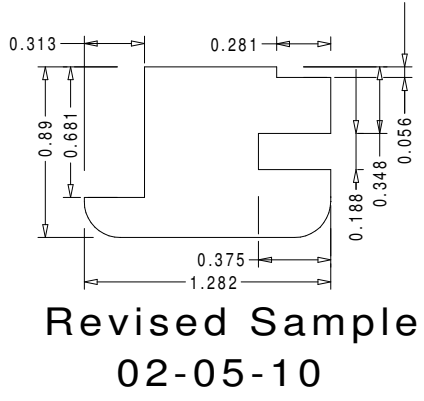
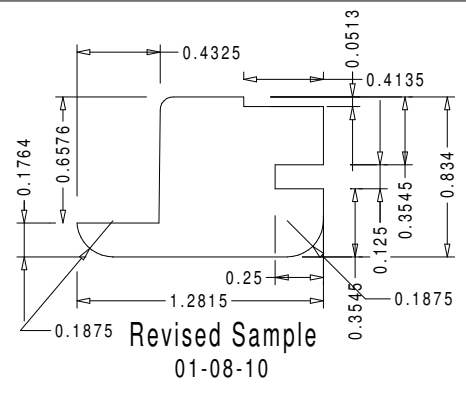
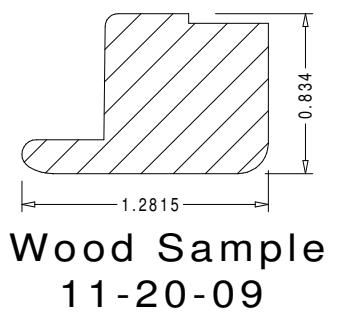


PRINT NO:
010014409



TEMPLATE/KNIFE SHOWN ARE FACE COMING

REV.	DATE:	DESCRIPTION:
1		
2		
3		
CUSTOMER: ADORN		DESC: Template/River-Pak (40mm)



DO NOT SCALE DRAWING DATE: 10-26-09

SCALE:FULL DRAWN BY: **JB** PRINT NO:
010014409